

CLV

Pneumatic
Torque Multiplier



allkitronic[®]

Applications

- Pneumatic torque multipliers for torques up to 3,460 Nm
- Multiple fastening connections and series assembly in semi-automatic operation
- Perfect for bolted applications in an environment with increased hazard of explosion

Advantages

- Permanently higher joint quality as compared to impact and hydraulic wrenches by continuous rotation of the square drive
- **Concurrent** and **even** bolted connection, crosswise with several *alkitronic® CLV* torque multipliers
- Comfortable remote control for right-left rotation
- Low noise emission values by integrated muffling

alkitronic® specials

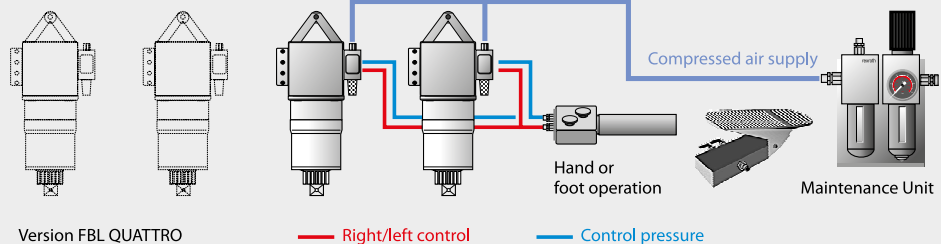
- Universal valve block for pneumatic steering according specific requirements
- Robust pneumatic drive with sophisticated high-performance gear, reliably used around the world
- *alkitronic® CLV Remote systems* for one to four CLV torque multipliers
- *alkitronic® Exhaust system* for a workplace without air swirls (optional)



alkitronic® CLV Remote Systems

Chart:
FBL DUO for two *CLV* torque multipliers

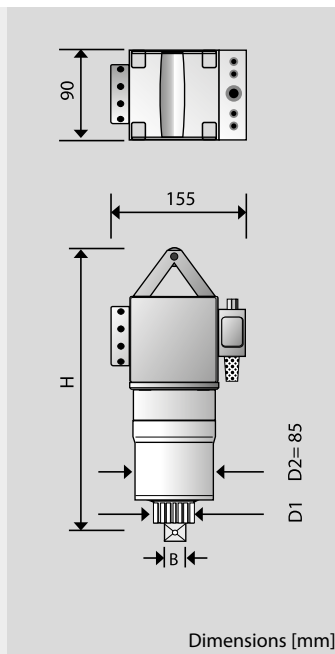
The *FBL QUATTRO* version for four *CLV* torque multipliers more details on request.



Technical data: Models *CLV*

Type		CLV 15	CLV 25	CLV 35	CLV 45	CLV 75	CLV 95	CLV 135	CLV 175	CLV 255	CLV 315
Torque range (approx.) *	Nm	60-220	90-280	130-400	160-500	300-900	360-1100	490-1450	650-1900	900-2700	1200-3500
Square drive	B	1/2" / 3/4"	1/2" / 3/4"	3/4"	3/4"	3/4"	3/4"	1"	1"	1"	1"
Diameter (approx.)	D ₁	mm	41	41	41	41	41	54	54	54	54
Height (approx.)	L	mm	296	296	296	296	318	318	320	340	372
Weight without DMA (approx.)	kg	5.5	5.5	6	6	6.5	6.5	6.5	6.5	7	7
Idle speed	rpm	60	38	34	27	19	13	9	7	6	4

*) When loosening a bolted connection, up to 20% higher torque may be required (loosening torque). We will gladly advise you in detail.



Specifications

Prerequisites for best work and the indicated torques are an operating pressure of 2-7 bar at a volume flow of approx. 10-15 l/s. The torque accuracy depends on the stability of the supply system. The torque control of the pneumatic *alkitronic®* torque multiplier takes place via the air supply or pressure regulator of the Maintenance Unit.

Accessories

Maintenance Unit, complete with filter, regulator, oiler and 5m hose, incl. couplings.



alki TECHNIK GmbH reserves the right to change specifications without prior notice



alkitronic® CLV operating in a preassembly and final assembly workstation. Remote controlled continuous tightening in semi-automatic operation.

alkitronic®

TORQUE POWER WORLDWIDE

alkitronic® products
Made in Germany by

alki TECHNIK GmbH
Development, Production and
Distribution of Bolting Systems

Unterlettenweg 4
D-85051 Ingolstadt

fon +49 841 97499-0
fax +49 841 97499-90

info@alkitronic.com
www.alkitronic.com