

Applications

- **alkitronic®EAW:** Battery powered 2-speed torque multiplier for torques from 90 Nm to 4,000 Nm. Angled design with high operating comfort.
- **Mobile and always ready for use:** Compact design for convenient working in limited spaces or without power supply.
- **Extremely short fastening cycles:** Fast gear for run down and power gear for highest torques and precision.
- **Efficient operation:** Fast and easy gear-changing, great torque range - each gear has eleven torque values to choose from.

Advantages

- **Low running costs:** The low-wear brushless synchronous motor is maintenance free.
- **Health-preserving:** Low weight, ergonomically designed, low noise emissions. No noise protection necessary.
- **High performance:** Two lithium-ion battery packs ensure up to 360 screw joints in a row. Each battery features a LED charge level indicator.
- **Exact shut-off torque even at low battery levels.**

alkitronic® specials

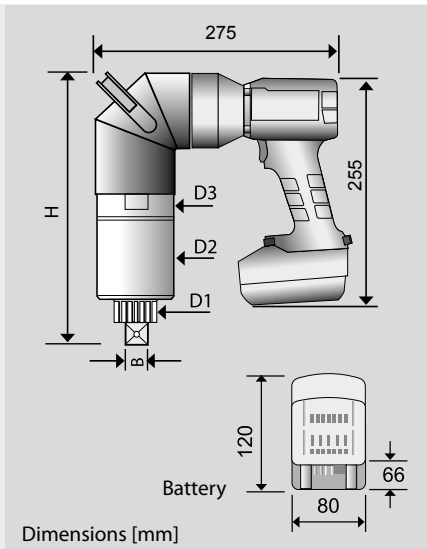
- **Very low repair requirements:** Robust motor housing made of special polymer. It is break-proof, impact-proof and resistant to corrosion.
- **Angle-drive with optimised efficiency and great running characteristics.**
- **Intelligent energy management:** Smart electronics protect every battery cell from overcharging and depth discharge.



Technical Data: *alkitronic® EAW Models*

Type		EAW2 / 80	EAW2 / 150	EAW2 / 200	EAW2 / 280	EAW2 / 300	EAW2 / 400
Torque range (approx.) *	Nm	115-860	150-1400	250-2200	300-2800	360-3200	500-4100
	lbf.ft	85-635	110-1030	185-1620	220-2065	265-2360	370-3025
Square drive	B	3/4"	3/4"	1"	1"	1"	1 1/2"
Diameter (approx.)	D ₁	mm	41	41	54	54	72
Diameter (approx.)	D ₂	mm	85	85	85	85	93
Diameter (approx.)	D ₃	mm	88	88	88	88	97
Height (approx.)	H	mm	250	250	295	305	310
Weight without DMA (approx.) **	kg	7,5	7,5	9,0	9,5	9,5	11,2
Idle speed 1 st gear	rpm	7,0	4,0	2,0	1,7	1,5	1,0
Idle speed 2 nd gear	rpm	24,0	13,0	6,5	6,0	5,0	4,0

* When loosening bolts, a higher torque (up to 20 %) may be necessary (release torque). We will be pleased to help you with your choice. ** Torque reaction arm



alkitronic®

TORQUE POWER WORLDWIDE

alkitronic® products
Made in Germany by

alki TECHNIK GmbH
Development, Production and
Distribution of Bolting Systems

Unterlettenweg 4
85051 Ingolstadt
Germany

fon +49 841 97499-0
fax +49 841 97499-90

info@alkitronic.com
www.alkitronic.com