



alkitronic

VELOX

Electric Hydraulic Pump

Applications

- alkitronic® VELOX is a robust, long-life quality product made in Germany.
- This unique electrical hydraulic pump (**protection class IP65**) is protected against rain, splashing water and dust deposit to **eliminate costly downtime**.
 - Its suitable for 110 V or 230 V main grids and voltage-controlled mobile power units.

Advantages

- **High precision** ($\pm 3\%$) through all pressure ranges, defined by precisely adapted oil flow rate.
- **Air cooling, robust design, low weight.** The housing design ensures optimum heat dissipation.
- **Simple operating: one-push-button remote control** for ergonomic, working convenience and distance safety.
- **High working speed and short set-up times.** Can connect two hydraulic torque tools to increase productivity and to save time and money.
- **Flexible bolting applications.** Compatible with almost all hydraulic torque wrenches, regardless of cylinder size and torque range.

alkitronic® specials

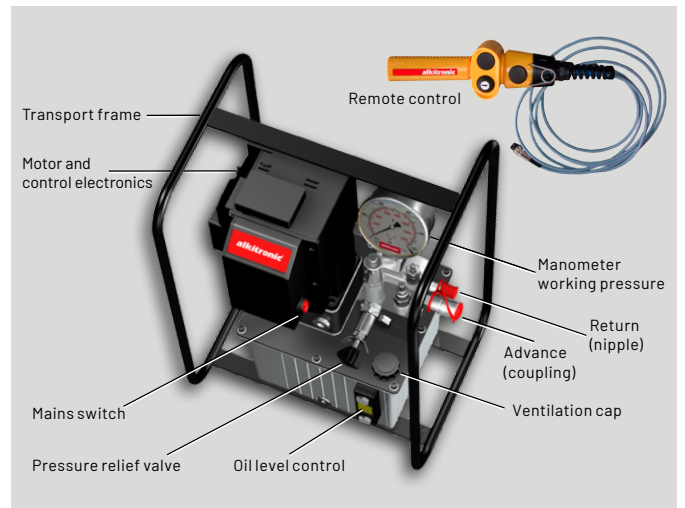
- **Low maintenance costs** due to the maintenance-free, low-wear and brushless synchronous motor. No magnetic control valves and therefore no wear.
- **Modular construction for cost-saving upgrade** or parts exchange.
- **Individual operation** - basic version with manual control.
- **Integrated motor protection** to avoid damage due to overload.



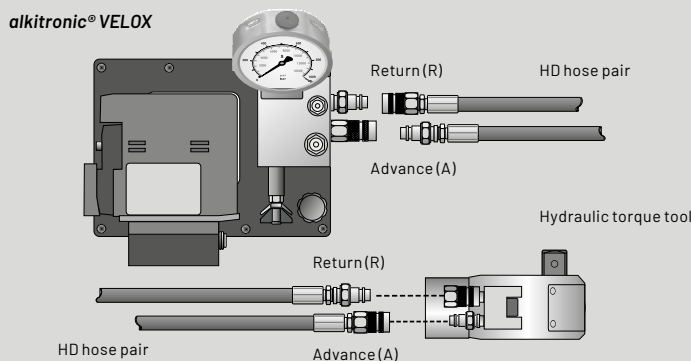
Technical Data

alkitronic® VELOX infinitely adjustable pressure setting up to 10,000 psi (maximum operating pressure: 10,000 psi)

Specification	alkitronic® VELOX	VELOX Speed Upgrade
Drive electrical / nominal sensitivity	110/230 V, 50/60 Hz, 1600 W	230 V, 50/60 Hz, 2100 W
Protection class	IP65	IP65
Output low pressure area	366 cu.in./min at 2,030 psi	519 cu.in./min at 2,030 psi
Output high pressure area	46 cu.in./min at 10,000 psi	70.15 cu.in./min at 10,000 psi
Tank capacity	4.0 l / 1.06 gal	4.0 l / 1.06 gal
Surrounding temperature	-20° C / -4° F up to +50° C / +122° F	-20° C / -4° F up to +50° C / +122° F
Noise emission	< 76 dB(A)	< 76 dB(A)
Weight incl. oil	52.9 lb	52.9 lb
Dimensions L x W x H (in)	14 x 10 x 22	14 x 10 x 22
Dimensions L x W x H (in) with transport frame	15 x 12 x 22	15 x 12 x 22



Compatible: Diagram of hydraulic hose connection



Attention! Hydraulic hoses are not included in the scope of delivery. They can be purchased separately.

Hydraulic torque wrench alkitronic® H-AT



We recommend our hydraulic torque wrenches for secure and reliable tightening or loosening of heavy bolt connections.

alkitronic®
HOME OF TORQUE POWER

alkitronic® products
Made in Germany by
alki TECHNIK GmbH
Development, Production and
Distribution of Bolting Systems

Unterlettenweg 4
85051 Ingolstadt
Germany

fon +49 841 97499-0
fax +49 841 97499-90

info@alkitronic.com
www.alkitronic.com